

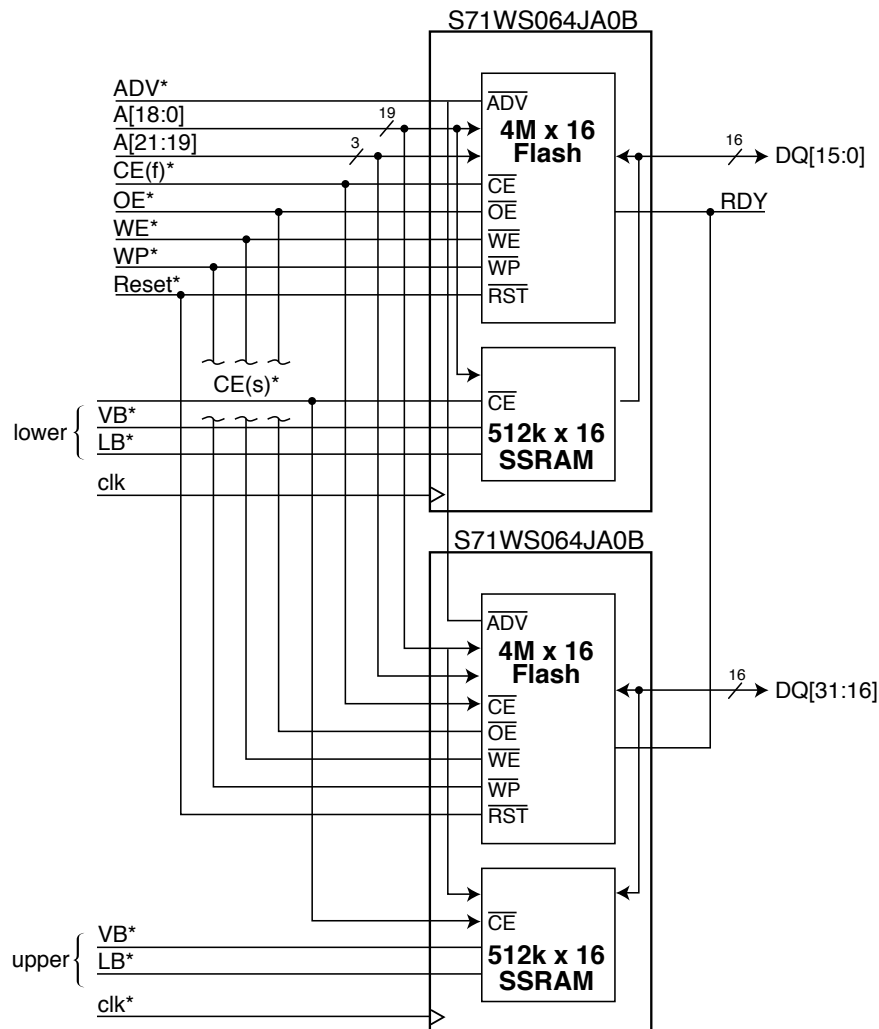
DNSODM_flash

DDR2-Socket Compatible FLASH Module (4M x 32)

Features

- DDR2, 200-pin SODIMM compatible with DN8000K10 and DN7000K10 series
- 2 – 4M x 16 Flash memory chips (Spansion™ S71WS064JA0B)
 - 16 Mbytes FLASH in a 4M x 32 configuration
 - 512k x 32 SRAM
- 8 LED's
- 2 IDC headers, 12 pins, 10 signals

Block Diagram

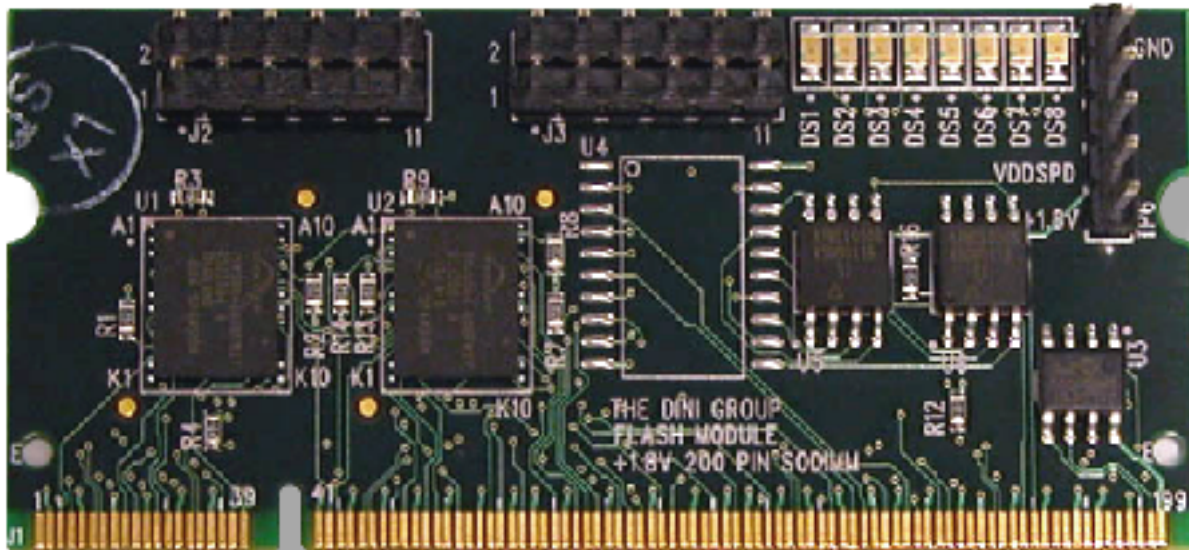


Description

The **DNSODM200_flash** is an SODIMM module that can be installed in a 200-pin DDR2 SODIMM socket. This module contains two Spansion™ Flash chips (S71WS064JA0B) in a 4M x 32 configuration for a total of 16 megabytes of FLASH memory. SSRAM (512k x 32) is also provided on the same address/data pins via a separate chip select.

All FLASH and SSRAM functions of the S71WS064JA0B are available, including burst read at 66MHz, secured sectors, 64 customer-lockable words, and 64 factory-lockable words. Up to 1 million sectors erase cycles are guaranteed.

The **DNSODM200_flash** is compatible with the 200-pin SODIMM DDR2 sockets on all DN8000K10 and DN7000K10 series products. Reference designs in both verilog and VHDL are provided.



For technical applications and sales support, call 858.454.3419

The
DiNI
Group

1010 Pearl Street, Suite #6
La Jolla, CA 92037-5165
Phone: 858.454.3419
Fax: 858.454.1728
E-Mail: sales@dinigroup.com
Web: <http://www.dinigroup.com>

The DINI Group reserves the right to make changes to the product(s) or information contained herein without notice. No liability is assumed as a result of their use or application. No rights under any patent accompany the sale of any such product(s) or information.