

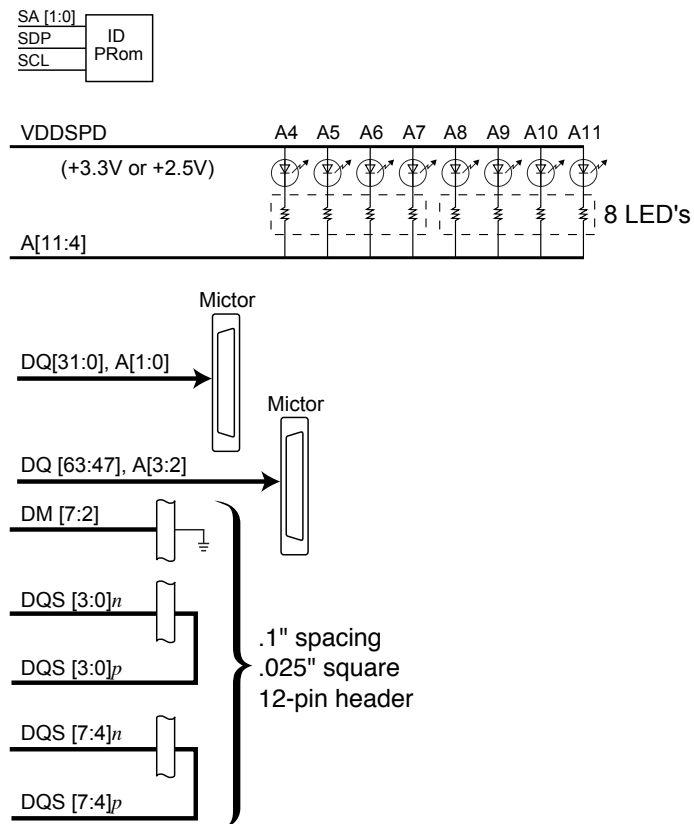
DNSODM200_Mictor

DDR2-Socket Compatible Observation Module

Features

- DDR2, 200-pin SODIMM compatible with DN8000K10 and DN7000K10 series
- 2 Mictor connectors (J1, J3)
 - Agilent and Tektronix Logic Analyzers
- 8 – User controlled LED's
- 3 – 12-pin headers
 - 0.1" pin spacing, 0.25" square posts
 - IDC Ribbon cable expansion
 - 2 – Length-matched LVDS, 5 pairs (J4, J5)
 - 1 – Single-ended TTL, 5 signals (1.8V)

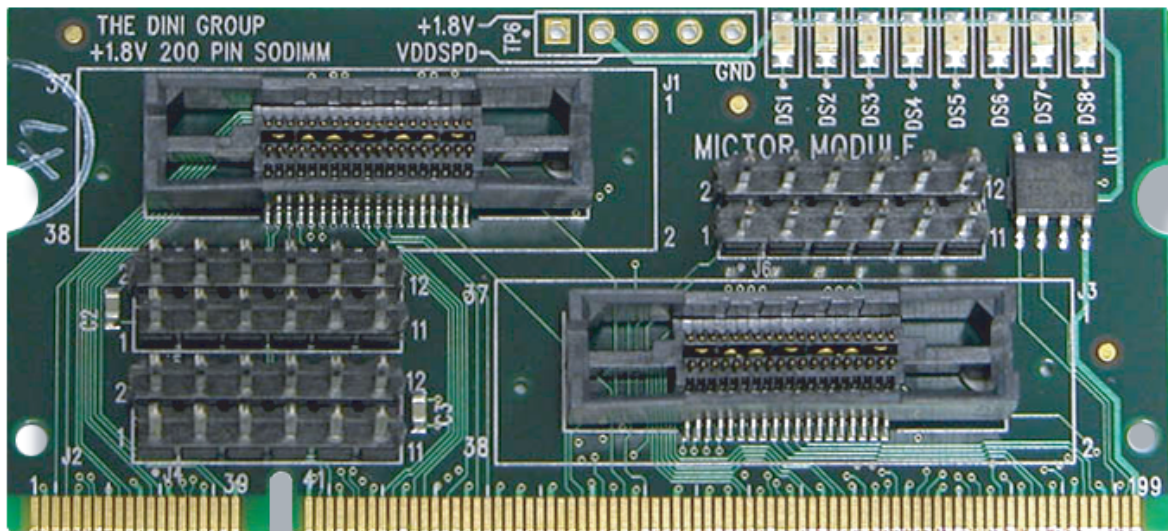
Block Diagram



Description

The DNSODM200_mictor is an SODIMM module that can be installed in a 200-pin DDR2 SODIMM socket. This module contains two Mictor connectors and three, 12-pin IDC-type headers. Logic analyzers from Tektronix and Agilent can be directly connected to FPGA pins enabling direct high-speed observation. Three, IDC-type 12-pin headers allow for external cabling to peripherals, oscilloscopes, or function generators. Two of these headers are routed as LVDS differential with 5 pairs. The third header has 5 single-ended, +1.8V TTL signals. Eight LED's add additional visual feedback.

The DNSODM200_mictor is compatible with the DDR2 sockets on all DN8000K10 and DN7000K10 series products.



For technical applications and sales support, call 858.454.3419

The
DiNI
Group

1010 Pearl Street, Suite #6
La Jolla, CA 92037-5165
Phone: 858.454.3419
Fax: 858.454.1728
E-Mail: sales@dinigroup.com
Web: <http://www.dinigroup.com>

The DINI Group reserves the right to make changes to the product(s) or information contained herein without notice. No liability is assumed as a result of their use or application. No rights under any patent accompany the sale of any such product(s) or information.