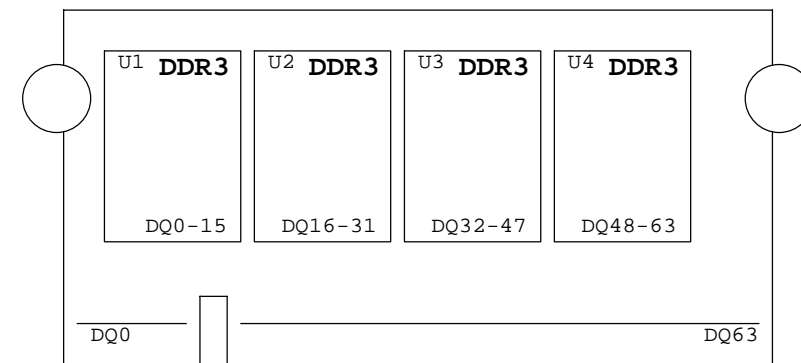


DNSODM200_DDR3

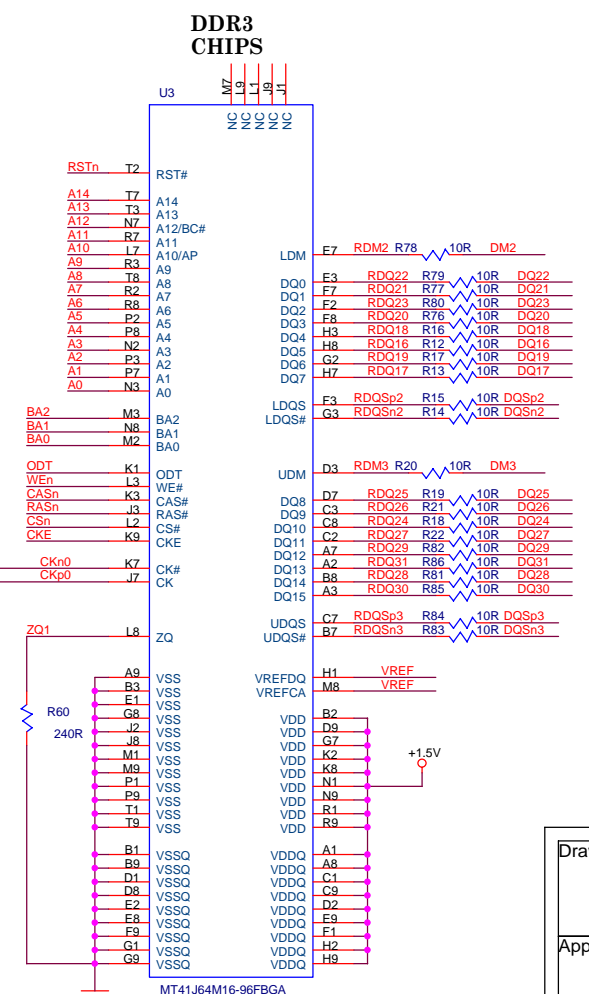
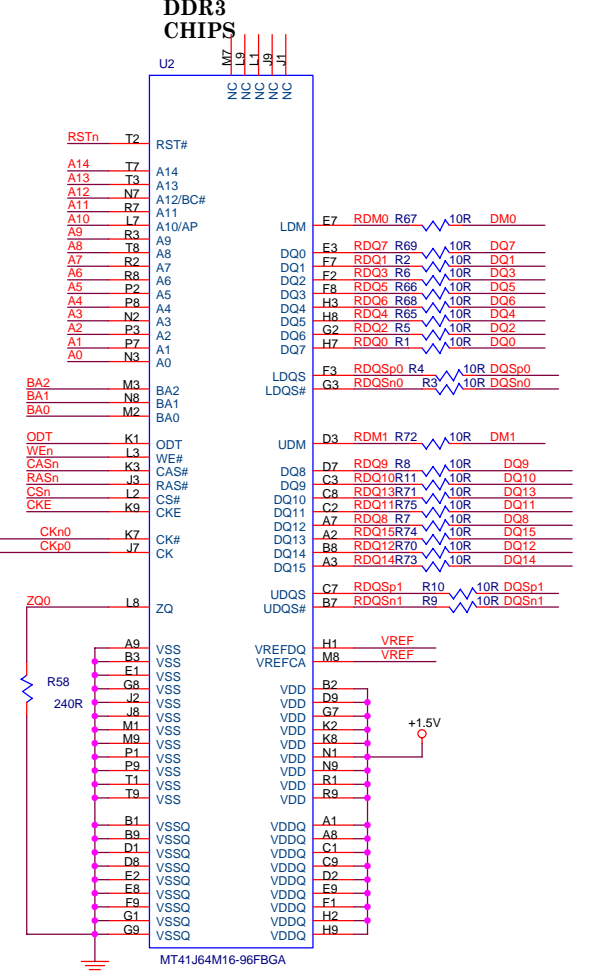
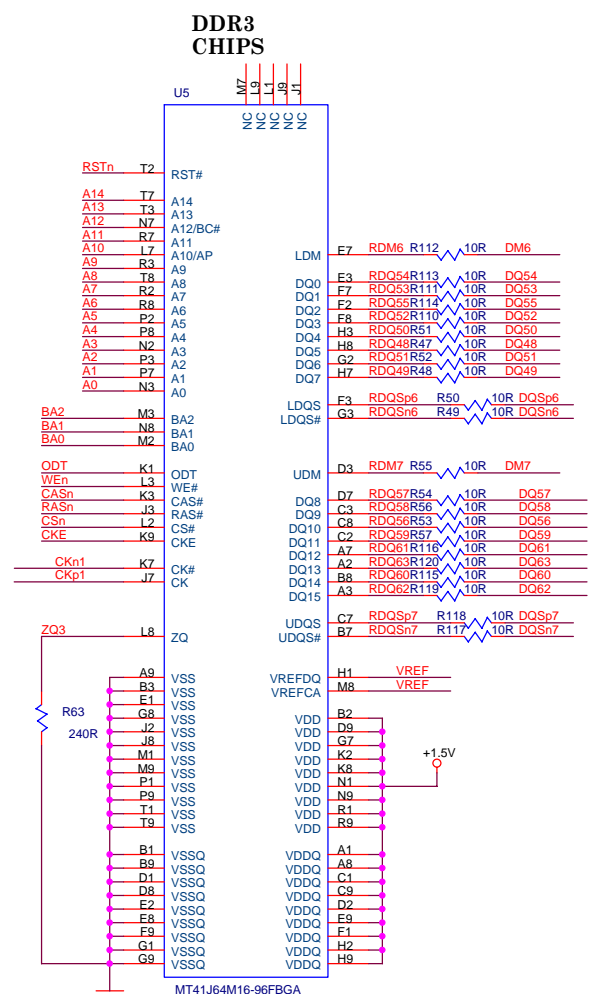
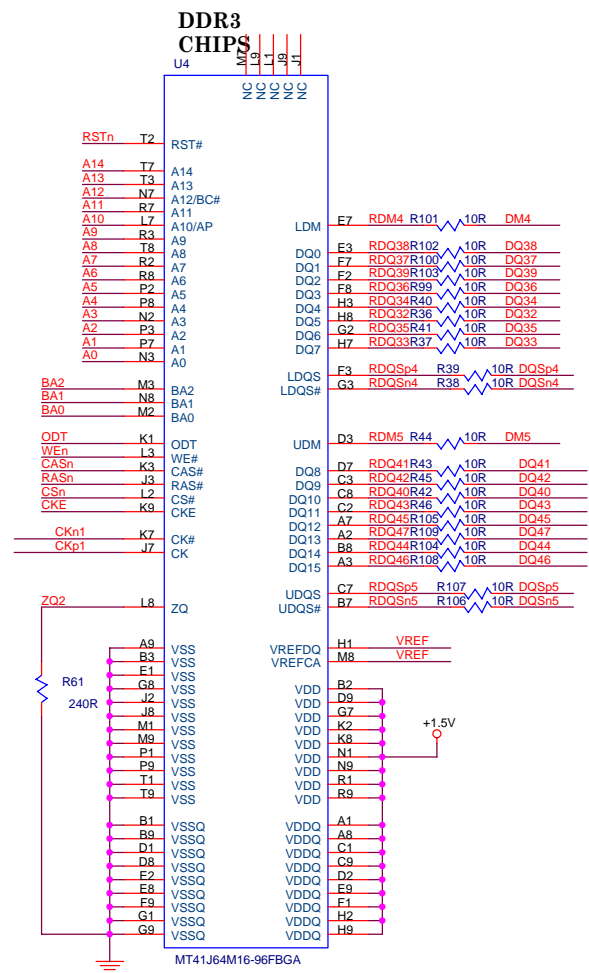
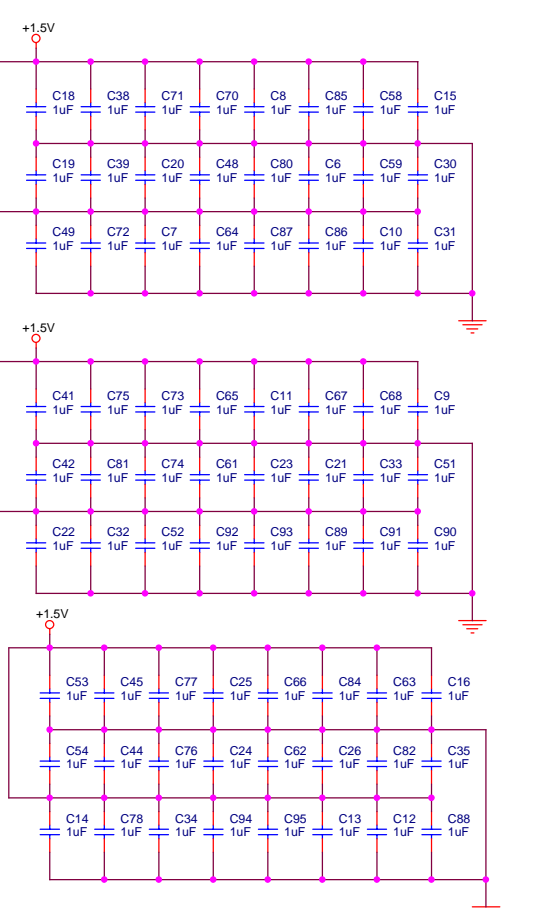
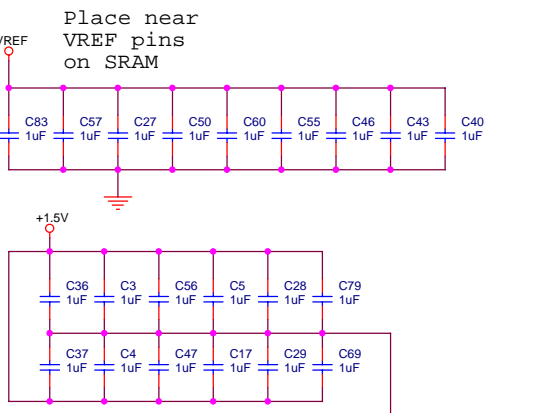
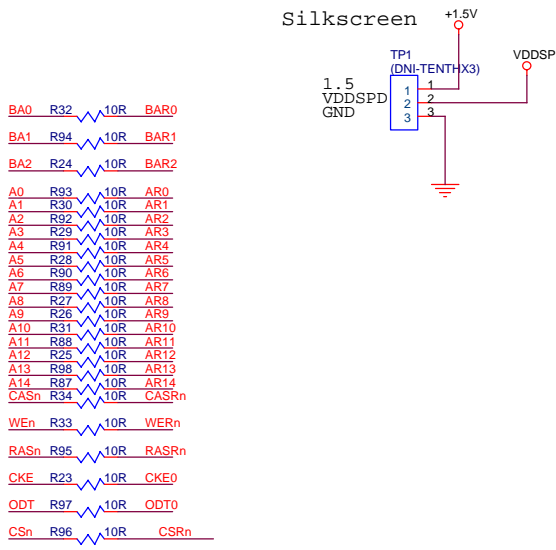
Requires +1.5V for power.

200-pin DDR2 SODIMM form factor
4 DDR3 SDRAM chips (16 bits each)
8M x 16b x 8banks x 4 chips
300Mhz Min, 400Mhz max

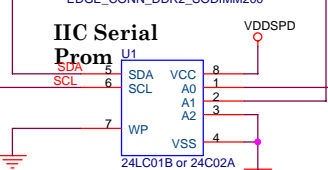
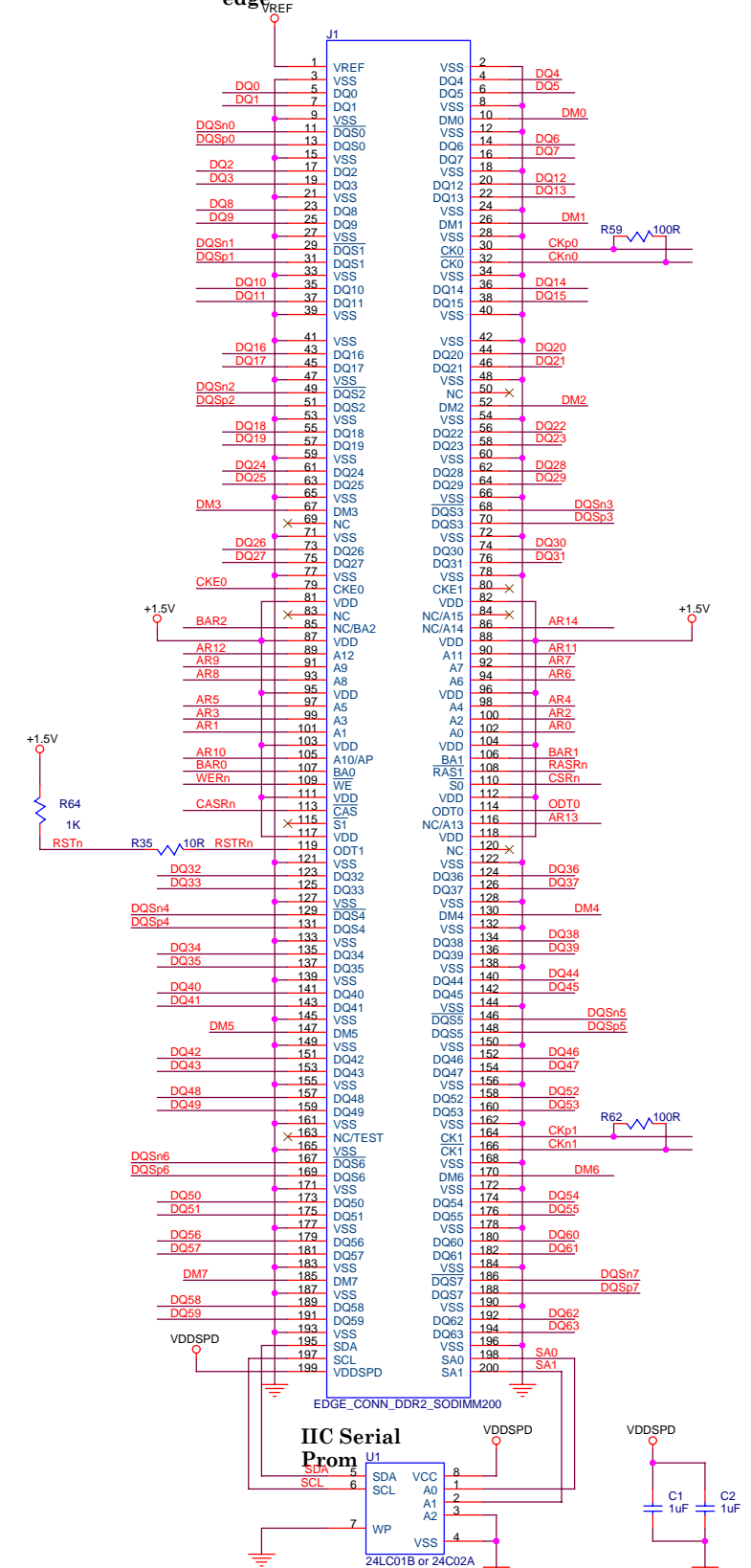


Drawn	The Dini Group La Jolla, inc. The information disclosed herein was originated by and is the property of The Dini Group. The Dini Group reserves all patent, proprietary, design manufacturing, reproduction, use and sale rights thereto, and to any article disclosed therein.	Project	DNSODM200_DDR3
Approved		Page Desc	COVER PAGE
		Document Number	Sheet
		501_0133_0009_01	1 Of 2
		Rev	Thursday, May 24, 2007
		1	

Silkscreen



200-pin +1.8V key SODIMM Card edge



Drawn	The Dini Group	Project	DNSODIMM_DDR3
Approved	La Jolla, inc.	Page Desc	Some stuff on it page ok
The information disclosed herein was originated by and is the property of The Dini Group. The Dini Group reserves all patent, proprietary, design manufacturing, reproduction, use and sale rights thereto, and to any article disclosed therein.		Document Number	501_0133_0009_01
		Sheet	2 Of 2
		Rev	1
		Wednesday, June 27, 2007	