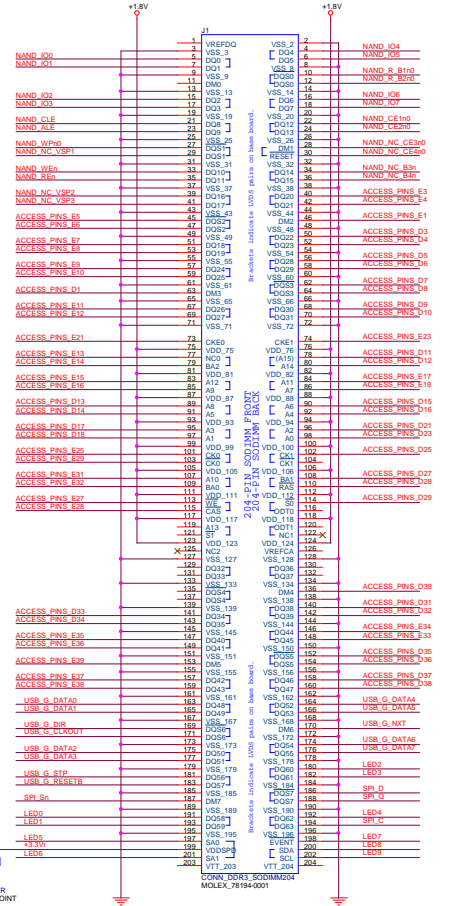
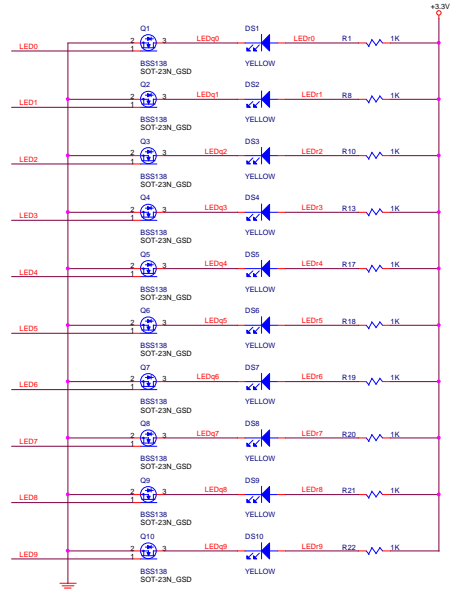
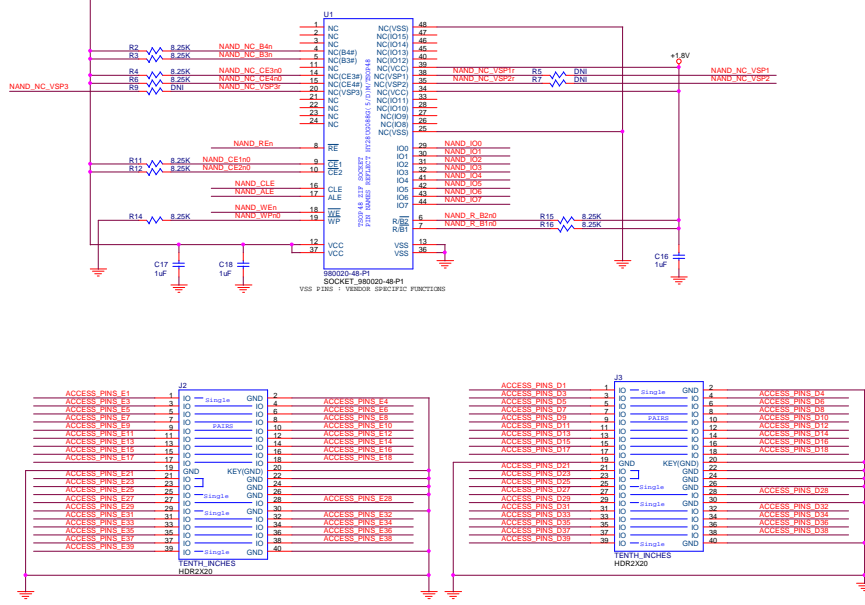


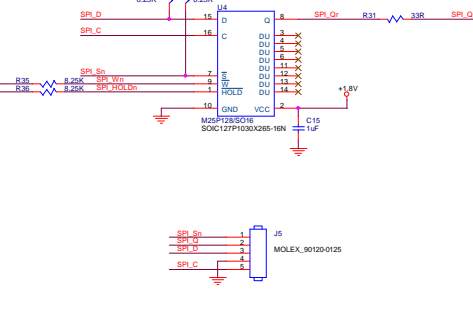
SODIMM Edge Connector



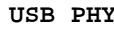
SOCKET FOR ONFI 2.2 FLASH TSOP48



User SPI Flash for FPGA E



Placement: This should line up with mounting hole on 501-0200-0000



TP1 EPOINT-5

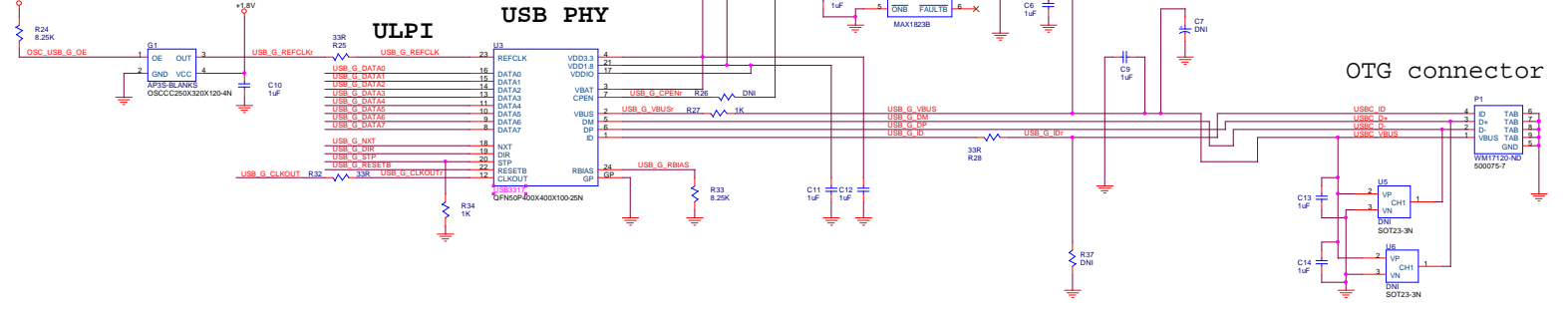
5V needs to come in here for host mode.

Install for Host

OTG connector

ULPI

USB PHY



Drawn DP	The Dini Group La Jolla, Inc. The information disclosed herein was originated by and is the property of The Dini Group. The Dini Group reserves all patent, proprietary, design, manufacturing, reproduction, use and sale rights thereto, and to any article disclosed therein.	Project DNSODM204_USB	Page Desc USB_MOD
Approved <NO>		Document Number 501_0004_0007_01	Sheet 2 of 2
		Rev 1	Thursday, July 01, 2010